

Door Hardware Catalogue

Furniture and accessories for
Noise-Lock® steel acoustic doors



IAC Acoustics

Making the World a Quieter Place

Founded on an unrivalled history of engineering with some of the most pioneering discoveries in the industry, the IAC Acoustics brand is synonymous with technological innovation.

From controlling noise at a power station to tuning the sound in a TV or radio studio, IAC Acoustics has had a positive impact on society and helped to shape what can be achieved to make speech more intelligible, music more enjoyable, reduce the impact of industrial noise and protect people's sense of hearing.

The continual success of our products and services over the decades has brought the brand a reputation for quality and reliability among customers, whether they are multinational corporations or independent family businesses. This is supported by the expertise and passion of our workforce, the people behind the products, including designers, engineers and industry specialists.

To face the ever increasing noise reduction demands of the future, we will strive to further enhance our ability to reduce excessive noise. We aim to focus on developing tomorrow's solution today, innovating faster and delivering solutions that meet the requirements of the next generation. In doing so, we will stay true to our key values and founding philosophy to make the world a quieter place.

Contents

Page

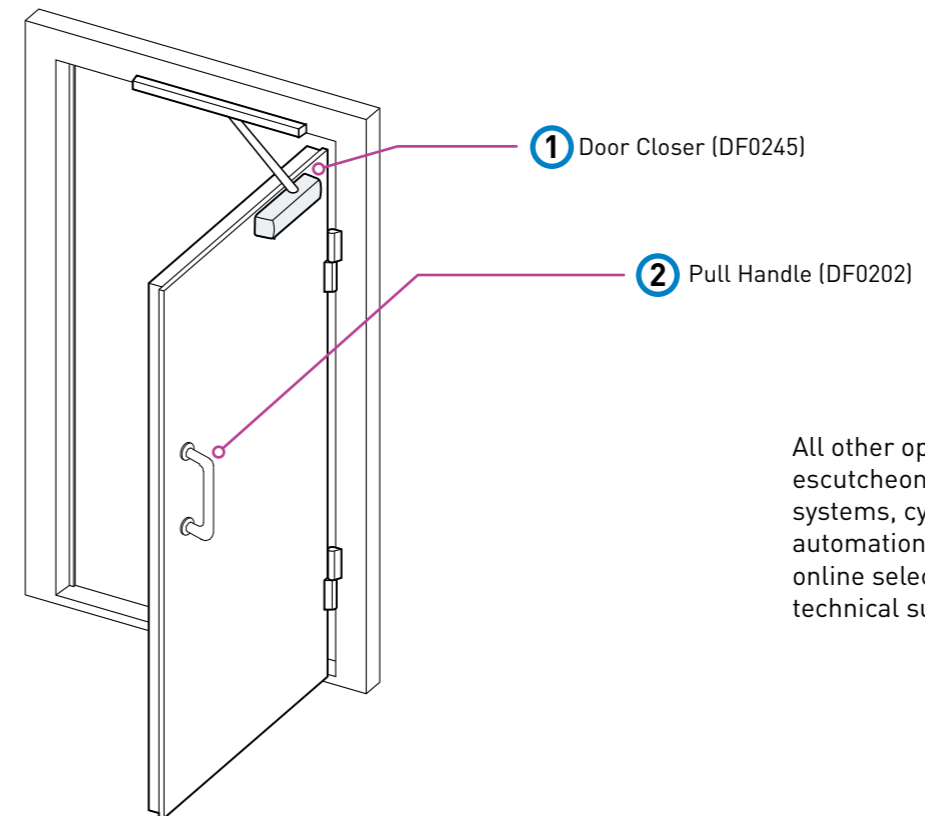
4	Standard Hardware Packs
10	Lock Cases
12	Door Handles
16	Escutcheons & Cylinders
20	Flush Bolts
22	Panic Escape Systems
26	Multi-point Systems
30	Door Control
38	Electric Locking Systems
44	Door Accessories
46	Door Maintenance Plans
50	Contacts

Hardware Packs

Our range of hardware packs are standard configurations of door furniture available across the entire Noise-Lock® range. With packs to suit standard usage, panic / escape and automated entry, the following range should suit a broad range of applications.

Pack 1

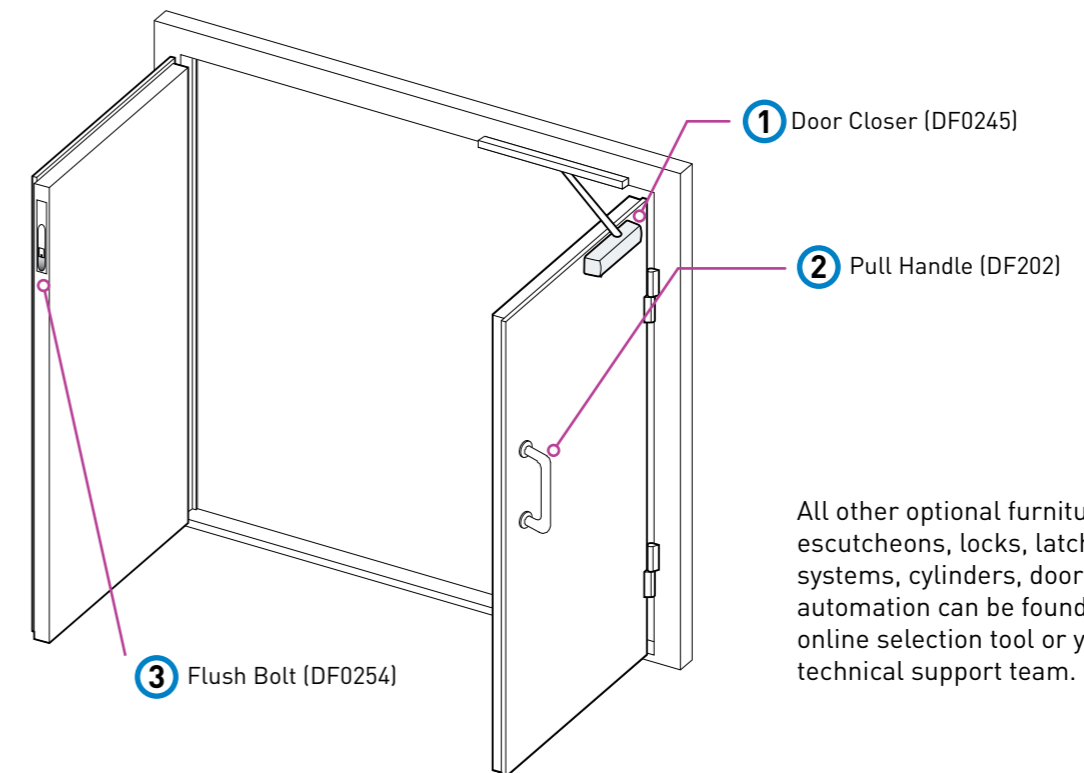
Range: Noise-Lock®
Door Type: Single Leaf, Non Fire Rated



All other optional furniture including: escutcheons, locks, latches, panic systems, cylinders, door control and automation can be found using the online selection tool or your local IAC technical support team.

Pack 2

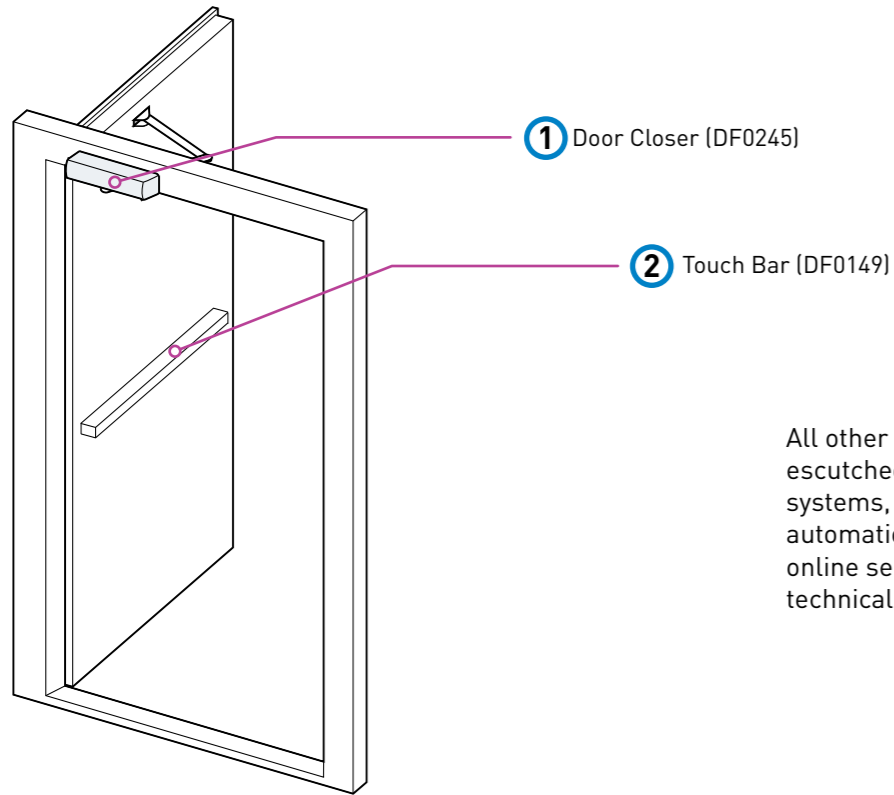
Range: Noise-Lock®
Door Type: Double Leaf, Non Fire Rated



All other optional furniture including: escutcheons, locks, latches, panic systems, cylinders, door control and automation can be found using the online selection tool or your local IAC technical support team.

Pack 3

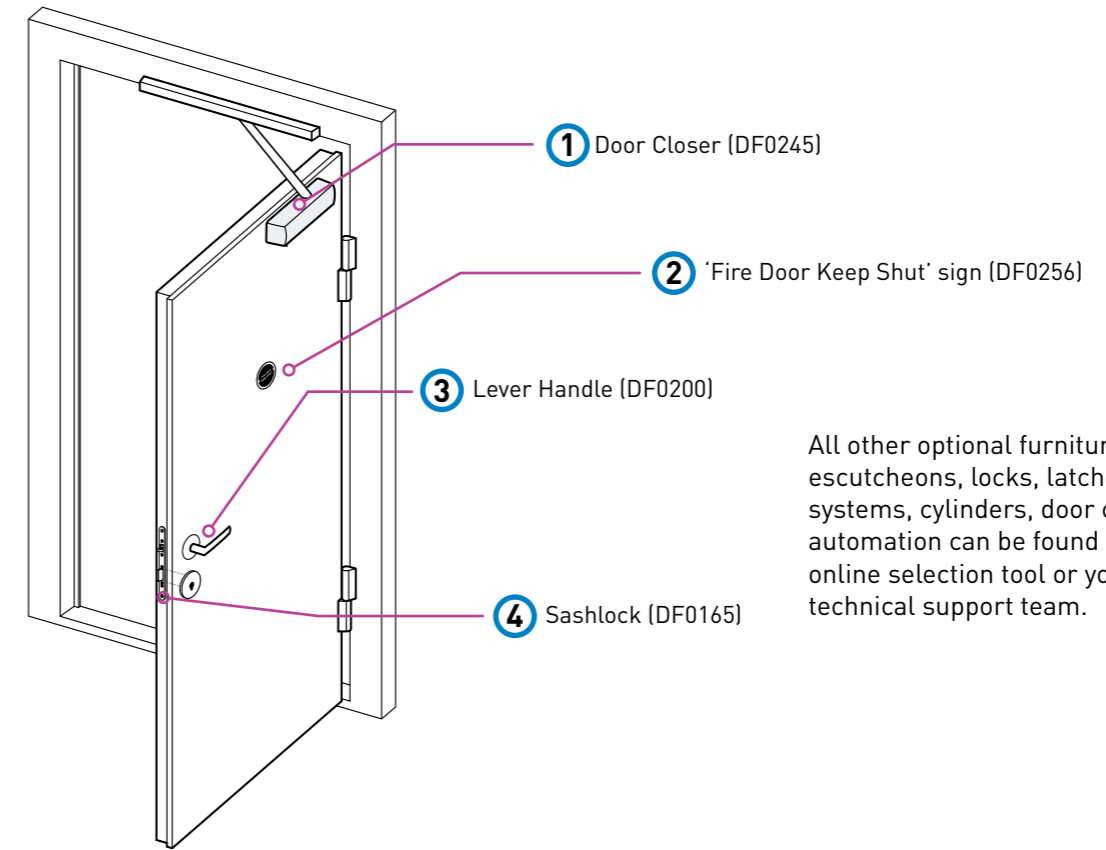
Range: Noise-Lock®
Door Type: Single Leaf, Panic Escape



All other optional furniture including: escutcheons, locks, latches, panic systems, cylinders, door control and automation can be found using the online selection tool or your local IAC technical support team.

Pack 5

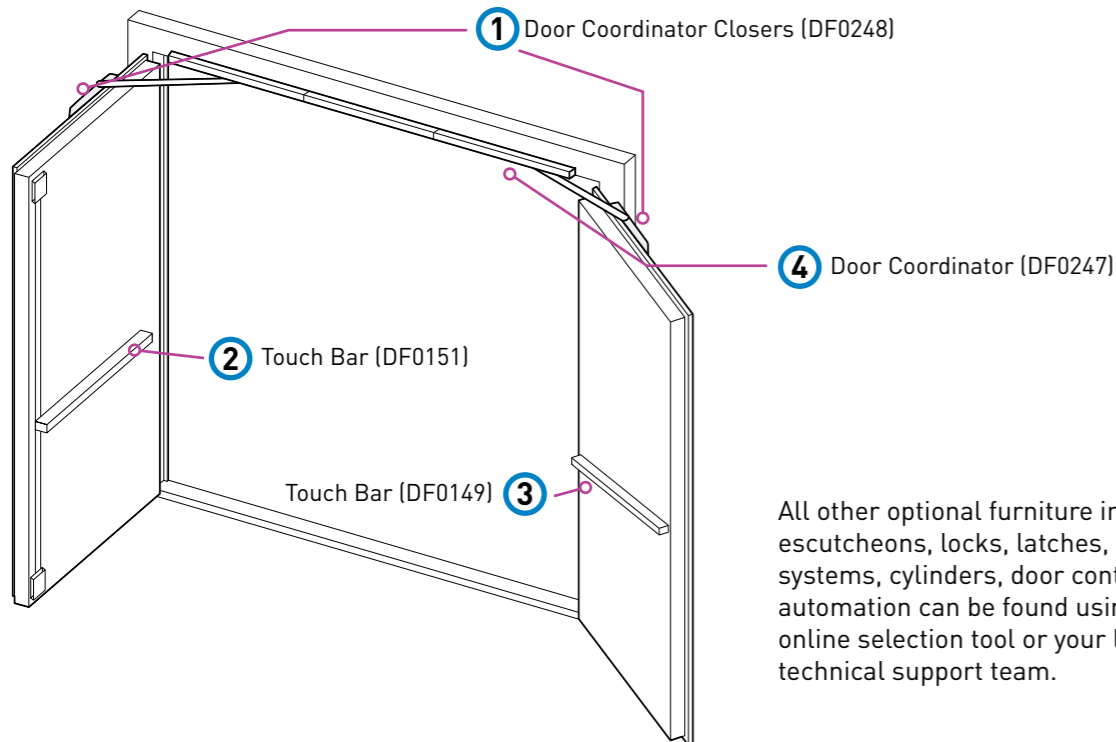
Range: Noise-Lock®
Door Type: Single Leaf, Fire Rated



All other optional furniture including: escutcheons, locks, latches, panic systems, cylinders, door control and automation can be found using the online selection tool or your local IAC technical support team.

Pack 4

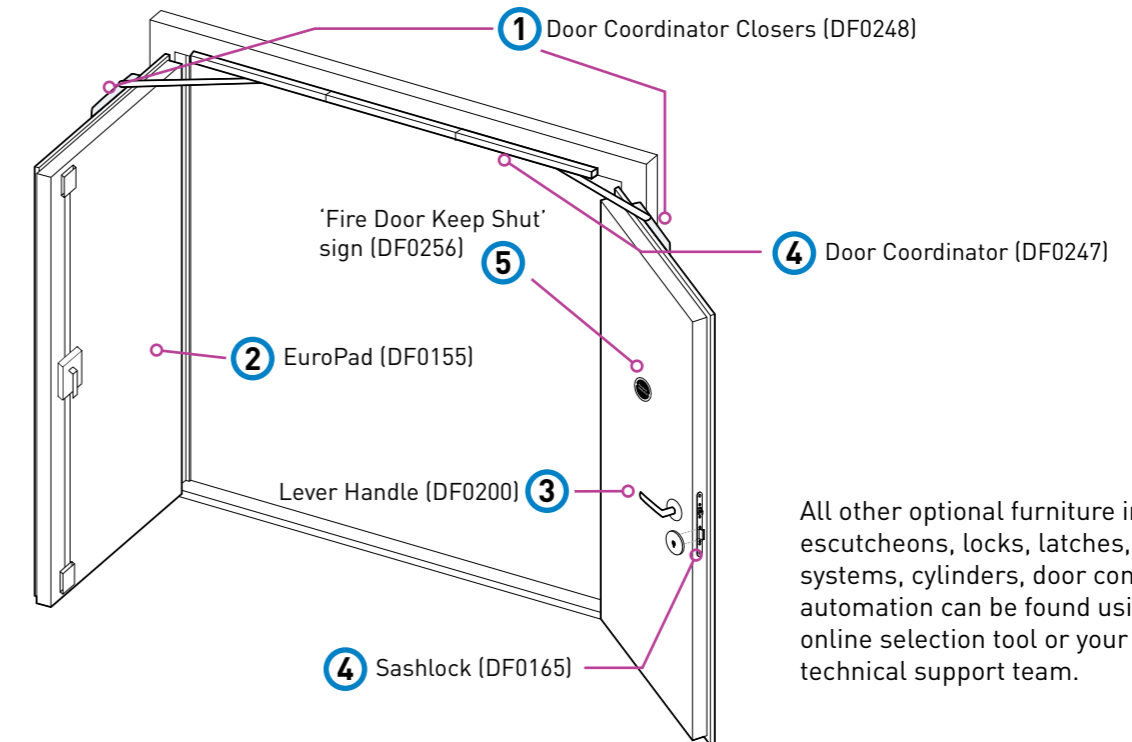
Range: Noise-Lock®
Door Type: Double Leaf, Panic Escape



All other optional furniture including: escutcheons, locks, latches, panic systems, cylinders, door control and automation can be found using the online selection tool or your local IAC technical support team.

Pack 6

Range: Noise-Lock®
Door Type: Double Leaf, Fire Rated

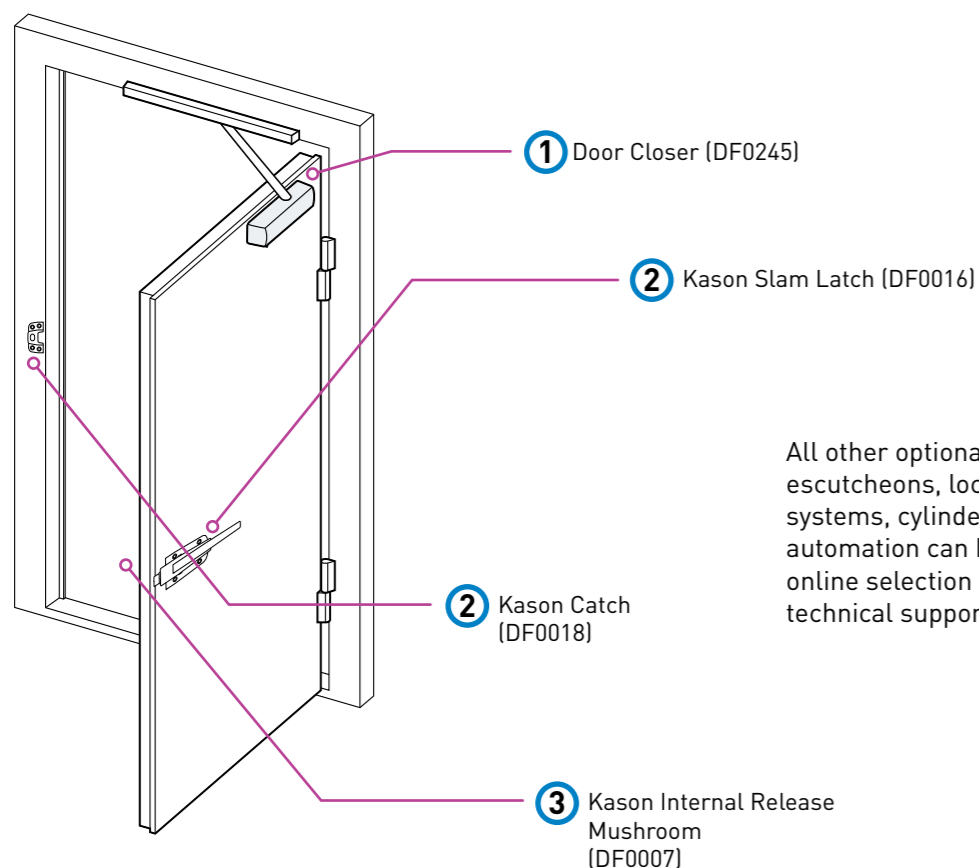


All other optional furniture including: escutcheons, locks, latches, panic systems, cylinders, door control and automation can be found using the online selection tool or your local IAC technical support team.

Pack 7

Range: Noise-Lock®

Door Type: Single Leaf, Kason Slam Latched

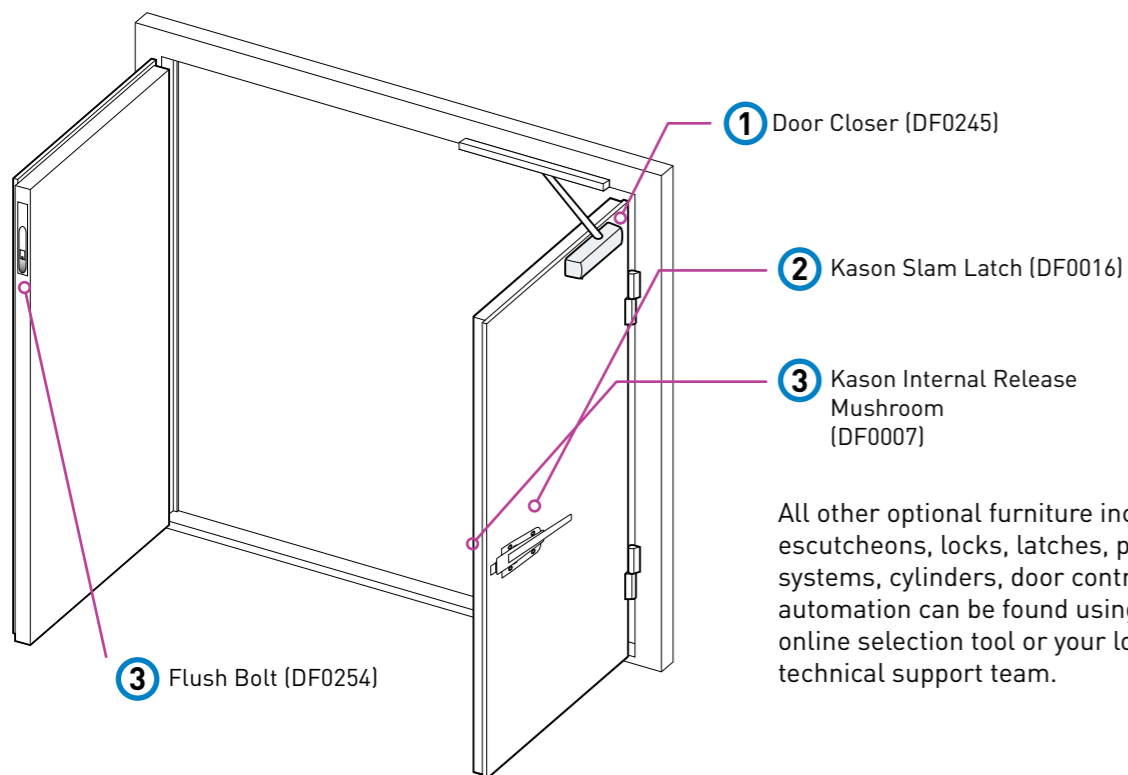


All other optional furniture including: escutcheons, locks, latches, panic systems, cylinders, door control and automation can be found using the online selection tool or your local IAC technical support team.

Pack 8

Range: Noise-Lock®

Door Type: Double Leaf, Kason Slam Latched



All other optional furniture including: escutcheons, locks, latches, panic systems, cylinders, door control and automation can be found using the online selection tool or your local IAC technical support team.

Standard Hardware Packs

IAC Acoustics works with all the major door hardware brands globally. This enables us to select and design for integration suitable high quality products which match our needs for safety, quality, reliability & durability.

The nature of high performance steel acoustic doors means that not all common hardware items are either of the correct design geometry, or quality required.

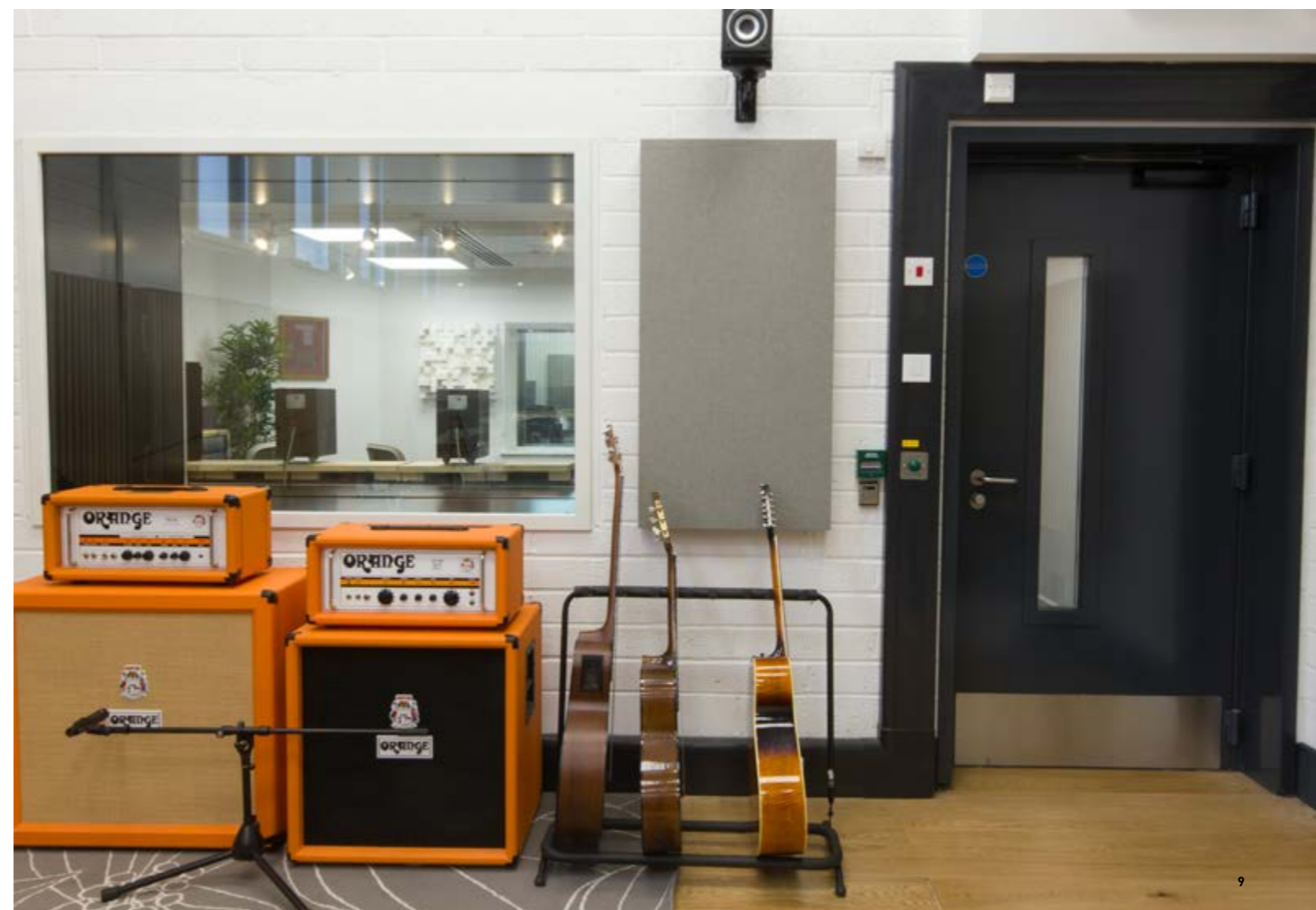
Our suggested hardware packs are designed to give a quick look-up solution for typical single & double door arrangements. These items are all stocked to ensure we deliver our factory prepared, assembled and tested equipment on time, to our industry leading 4 week delivery from approval of design.

We have many more design options available for custom doors; technical support is available to help detail and plan more difficult solutions, in particular access control systems.

If you have any questions or further technical needs please contact IAC Acoustics.

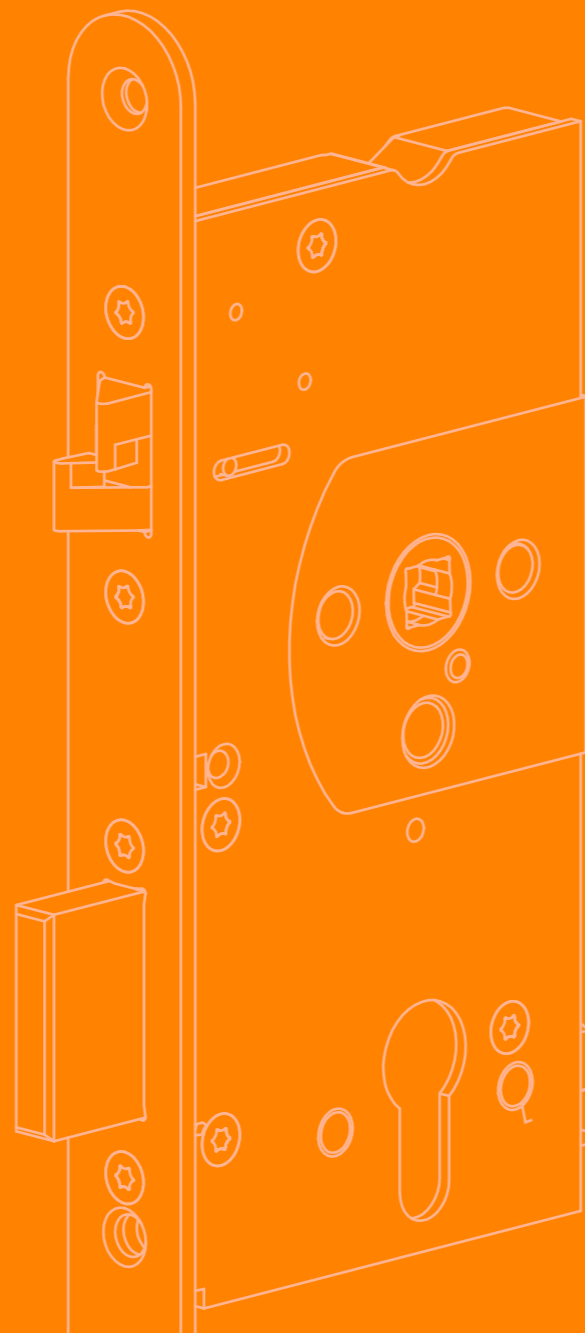
Note: Items marked ✓ are part of IAC Acoustics' recommended core range.

Goldsmith's University, London



Lock Cases

- Mortice Sashlock
- Mortice Deadlock
- Mortice Latch



Mortice Sashlock

Product Type	Description	U.O.M.	Part Number	Price	
Mortice Sashlock	SSS Euro Profile Cylinder Mortice Sashlock Case, 60mm Backset 64mm Leaf, Twin Seal	Each	DF0165	£40.50	✓
Mortice Sashlock	SSS Euro Profile Cylinder Mortice Sashlock Case, 100mm Backset 89mm Leaf Twin Seal + Triple Seal, 128mm Leaf Triple Seal	Each	DF0166	£91.55	✓

Mortice Deadlock

Product Type	Description	U.O.M.	Part Number	Price	
Mortice Deadlock	SSS Euro Profile Cylinder Mortice Deadlock Case, 60mm Backset 64mm Leaf, Twin Seal	Each	DF0186	£39.50	✓
Mortice Deadlock	SSS Euro Profile Cylinder Mortice Sashlock Case, 100mm Backset 89mm Leaf Twin Seal + Triple Seal, 128mm Leaf Triple Seal	Each	DF0167	£76.80	✓

Mortice Latch

Product Type	Description	U.O.M.	Part Number	Price
Mortice Latch	SSS Mortice Latch, 60mm Backset 64mm Leaf, Twin Seal	Each	DF0197	£37.20
Mortice Latch	SSS Euro Profile Cylinder Mortice Sashlock Case, 100mm Backset 89mm Leaf Twin Seal + Triple Seal, 128mm Leaf Triple Seal	Each	DF0185	£68.65



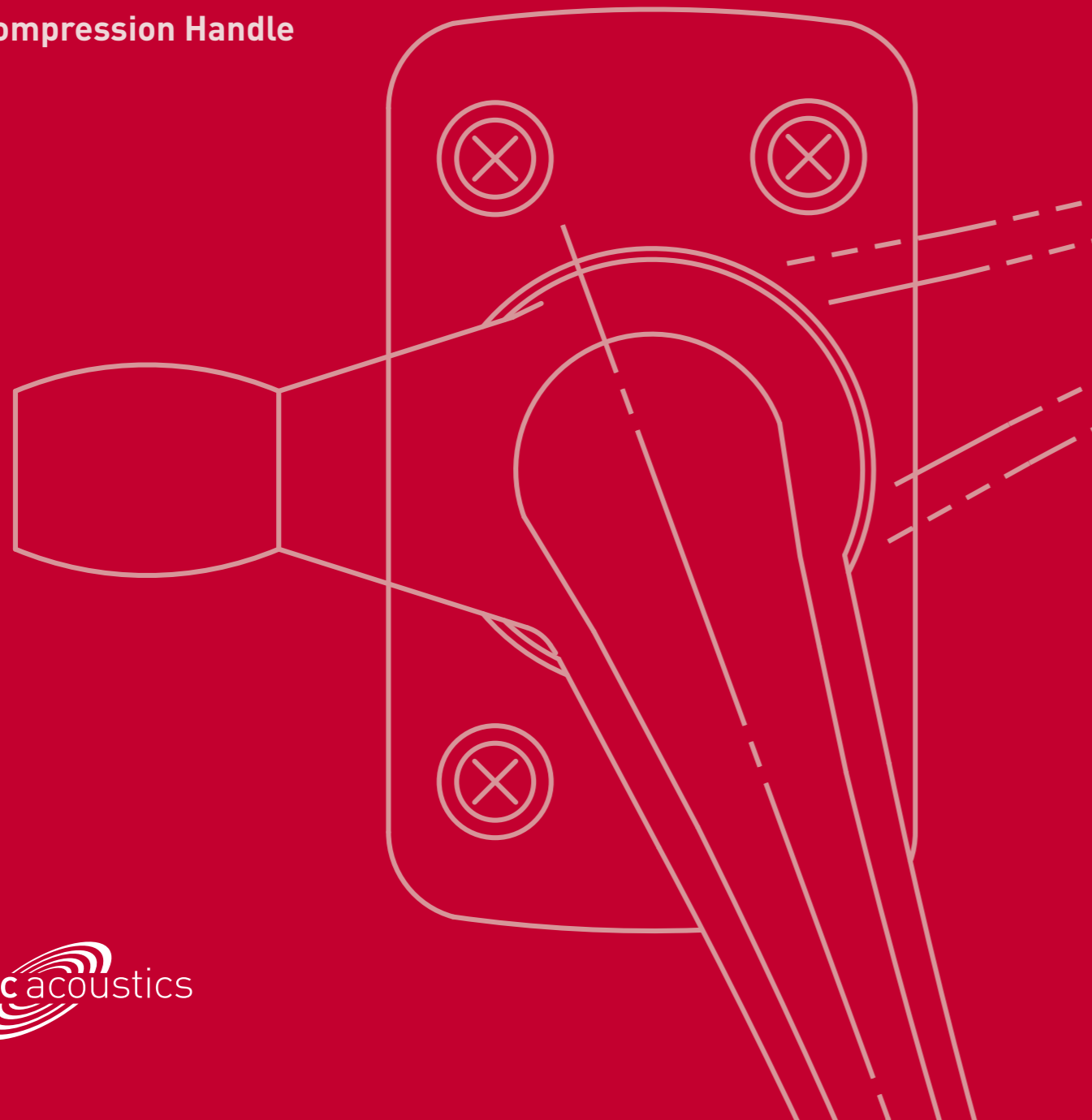
Sash Lock



Dead Lock

Door Handles

- Lever Handles
- Pull Handles
- Slam Latch
- Compression Handle



Lever Handle (Straight Pattern)



Product Type	Description	U.O.M.	Part Number	Price
Lever Handle	22mm Dia Grade 316 SSS Straight Pattern Lever, Standard Doors, Un-Sprung	Set	DF0199	£45.55
Lever Handle	19mm Dia Grade 316 SSS Straight Pattern Lever, Un-Sprung	Set	DF0168	£62.00



Lever Handle (Safety Pattern)



Product Type	Description	U.O.M.	Part Number	Price
Lever Handle	22mm Dia Grade 316 SSS Safety Pattern Lever, Fire Rated Doors, Un-Sprung	Set	DF0200	£46.25
Lever Handle	19mm Dia Grade 316 SSS Safety Pattern Lever, Un-Sprung	Set	DF0169	£69.75
Lever Handle	19mm Dia Grade 316 SSS Safety Pattern Lever, Un-Sprung with 9mm Follower (for use with Nemef Triple Latch, page 28)	Set	DF0184	£68.75



Product Type	Description	U.O.M.	Part Number	Price
Spindles	For lever handles to suit door thickness of 89mm	Each	DF0260	£6.00
Spindles	For lever handles to suit door thickness of 128mm	Each	DF0261	£6.00

Pull Handle



Straight



Guardsman

Product Type	Description	U.O.M.	Part Number	Price
Pull Handle	300mm c/c x 22mm Dia SSS Pull Handle, Back To Back Fixing	Pair	DF0202	£85.90
Pull Handle	300mm c/c x 19mm Dia SSS Pull Handle, Back To Back Fixing	Pair	DF0171	£91.50
Pull Handle	300mm c/c x 22mm Dia SSS Pull Handle, Secret One Side Fixing	Each	DF0251	£43.25
Pull Handle	300mm c/c x 19mm Dia SSS Pull Handle, Secret One Side Fixing	Each	DF0203	£54.25
Pull Handle	600mm c/c x 22mm Dia SSS Pull Handle, Back To Back Fixing	Pair	DF0204	£120.70
Pull Handle	600mm c/c x 19mm Dia SSS Pull Handle, Back To Back Fixing	Pair	DF0172	£168.70
Pull Handle	600mm c/c x 22mm Dia SSS Pull Handle, Secret One Side Fixing	Each	DF0252	£61.00
Pull Handle	600mm c/c x 19mm Dia SSS Pull Handle, Secret One Side Fixing	Each	DF0205	£83.50
Pull Handle	300mm c/c x 22mm Dia SSS Pull Handle, Guardsman, Back To Back Fixing	Pair	DF0207	£193.95
Pull Handle	300mm c/c x 19mm Dia SSS Pull Handle, Guardsman, Back To Back Fixing	Pair	DF0206	£177.15
Pull Handle	600mm c/c x 22mm Dia SSS Pull Handle, Guardsman, Back To Back Fixing	Pair	DF0209	£247.00
Pull Handle	600mm c/c x 19mm Dia SSS Pull Handle, Guardsman, Back To Back Fixing	Pair	DF0208	£226.00
Pull Handle	300mm c/c x 22mm Dia SSS Pull Handle, New Economy, Back To Back Fixing	Set	DF0201	£36.00
Pull Handle	300mm c/c x 22mm Dia Pull Handle, Traditional Economy, Single Sided or Back To Back Fixing	Set	DF0039	£46.33



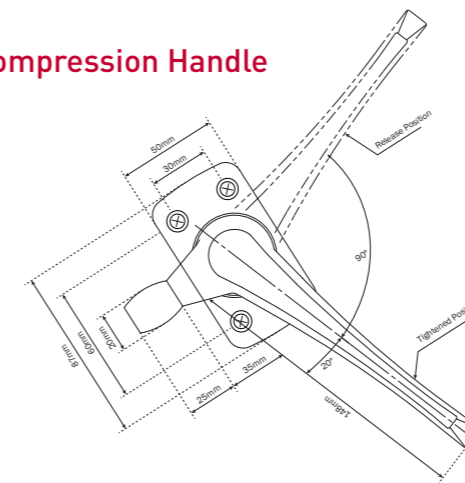
Lever Handle



Product Type	Description	U.O.M.	Part Number	Price
Lever Handle	Kason Slam Latch - Non Lockable	Each	DF0016	£113.33
Lever Handle	Kason Slam Latch - Lockable	Each	DF0017	£133.25
Latch Strike	Kason Slam Latch - Strike Plate	Each	DF0018	£39.89
Internal Escape	Kason Slam Latch - Release Panic Mushroom	Each	DF0007	£10.10



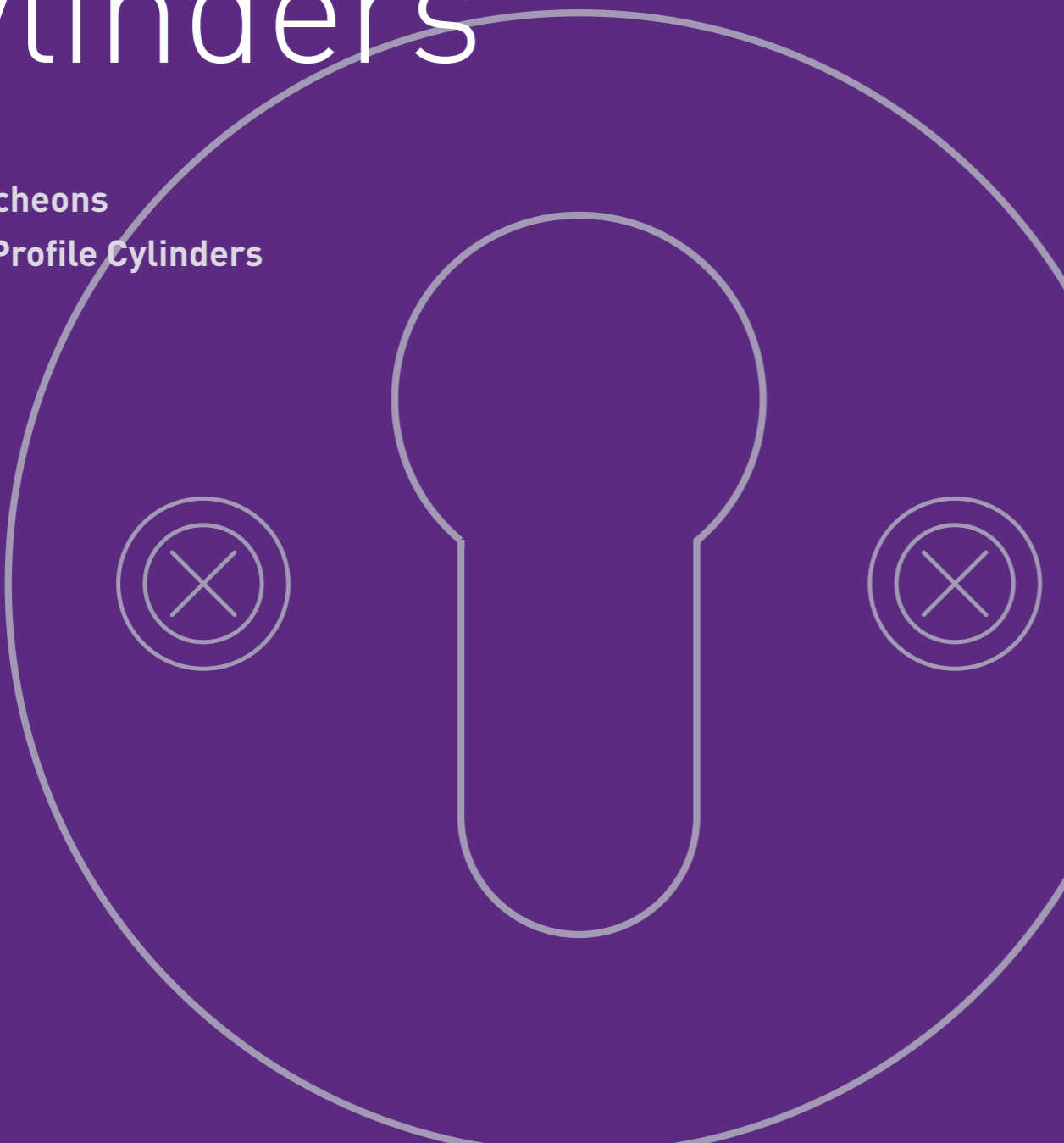
Compression Handle



Product Type	Description	U.O.M.	Part Number	Price
Roller Handle	MIWA Compression Handle - Right Hand Hinged Doors	Each	DF0124	£362.50
Roller Handle	MIWA Compression Handle - Left Hand Hinged Doors	Each	DF0123	£362.50
Strike	Strike for Left or Right Compression Handle	Each	DF0125	£46.75

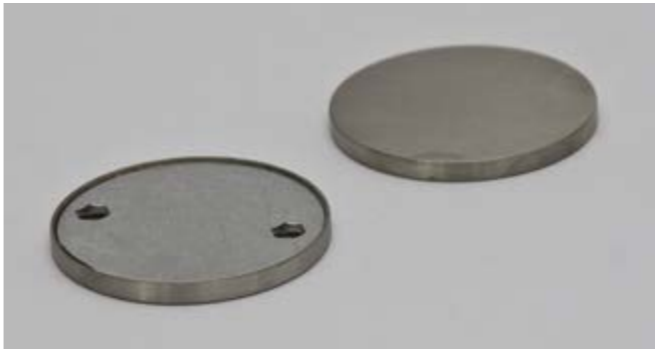
Escutcheons & Cylinders

- Escutcheons
- Euro Profile Cylinders

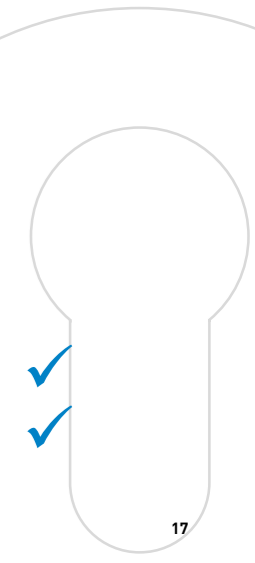


New 2014 Vision Panel Design

Escutcheon



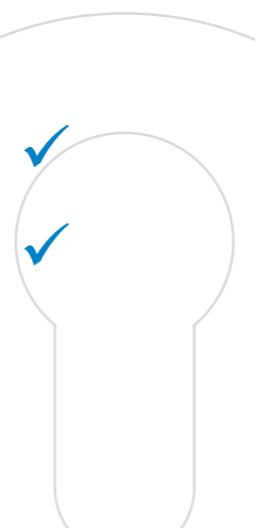
Product Type	Description	U.O.M.	Part Number	Price
Escutcheon	52mm x 4mm SSS Euro Profile Cylinder Escutcheon, Concealed Fixing	Each	DF0170	£6.50
Escutcheon	52mm x 4mm SSS Blank Escutcheon, Concealed fixing.	Each	DF0253	£6.50



Euro Profile Cylinder (Noise-Lock® Range of Doors)



Product Type	Description	U.O.M.	Part Number	Price
Euro Profile Cylinder	40mm Half Cylinder for External Access on JPM Panic Bar Systems	Each	DF0132	£21.25
Euro Profile Cylinder	64mm, Keyed to Push Side 64mm Leaf, Twin Seal	Each	DF0088	£61.25
Euro Profile Cylinder	64mm, Keyed to Pull Side 64mm Leaf, Twin Seal	Each	DF0089	£61.25
Euro Profile Cylinder	89mm, Keyed to Push Side 89mm Leaf, Twin Seal	Each	DF0187	£61.90
Euro Profile Cylinder	89mm, Keyed to Pull Side 89mm Leaf, Twin Seal	Each	DF0188	£61.90
Euro Profile Cylinder	127mm, Keyed to Push Side 89mm Leaf, Triple Seal 128mm Leaf, Triple Seal	Each	DF0189	£94.90
Euro Profile Cylinder	127mm, Keyed to Pull Side 89mm Leaf, Triple Seal 128mm Leaf, Triple Seal	Each	DF0190	£94.90



Euro Profile Cylinder (Super Noise-Lock® Range of Doors)

Product Type	Description	U.O.M.	Part Number	Price
Euro Profile Cylinder	102mm, Twin Seal Z Frame, Keyed to Push Side	Each	DF0087	£86.65
Euro Profile Cylinder	102mm, Twin Seal Z Frame, Keyed to Pull Side	Each	DF0114	£86.65
Euro Profile Cylinder	150mm, Triple Seal Z Frame, Keyed to Push Side	Each	DF0191	£128.00
Euro Profile Cylinder	150mm, Triple Seal Z Frame, Keyed to Pull Side	Each	DF0192	£128.00



School of Audio Engineering, Liverpool, UK



Flush Bolts

Flush Bolts



Product Type	Description	U.O.M.	Part Number	Price
Flush Bolt	203mm x 19mm SNP Lever Action Flush Bolt	Each	DF0254	£23.10
Flush Bolt	457mm x 19mm SNP Lever Action Flush Bolt	Each	DF0255	£81.90
Flush Bolt	609mm x 19mm SNP Lever Action Flush Bolt	Each	DF0176	£162.80
Flush Bolt	914mm x 19mm SNP Lever Action Flush Bolt	Each	DF0177	£228.40
Flush Bolt	1500mm x 19mm SNP Lever Action Flush Bolt	Each	DF0178	£345.60



IMG Studios, London , UK



Panic Escape Systems

- Single Point Panic Escape Bars
- Double Point Panic Escape Bars
- Double Point Emergency Latch Kit
- Emergency Exit External Lever Handle
- Emergency Exit Extension Kit

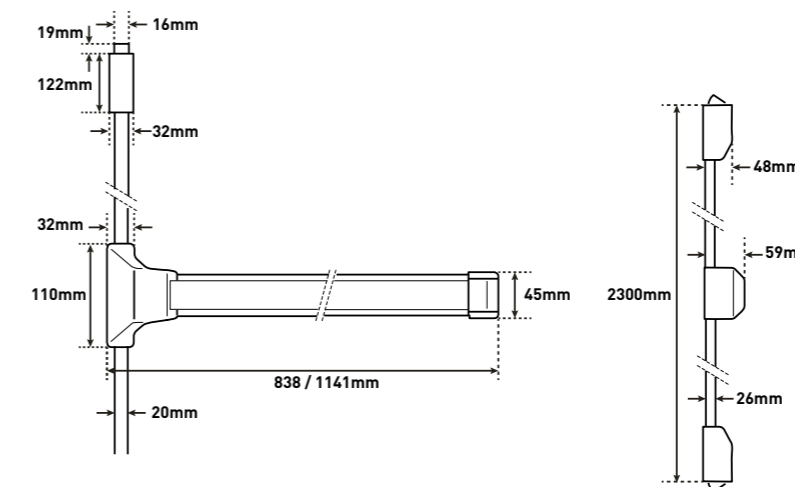
Single Point Panic Escape Bars



Product Type	Description	U.O.M.	Part Number	Price
Panic Escape Bar (PJ1000)	Touchbar Single Point 845mm - Black [Active Leaf]	Each	DF0149	£262.03



Double Point Panic Escape Bars



Product Type	Description	U.O.M.	Part Number	Price
Panic Escape Bar (PJ2000)	Touchbar Double Point 845mm - Black [Active or Inactive Leaf]	Each	DF0151	£401.48



Product Type	Description	U.O.M.	Part Number	Price
Panic Escape Bar (PJ3000)	Touchbar 3 - Point 845mm - Black [Active or Inactive Leaf]	Each	DDF0242	£567.28



Double Point Emergency Exit Latch

Note: Also double door inactive leaf latch on Fire Rated Doors and general inactive leaf option

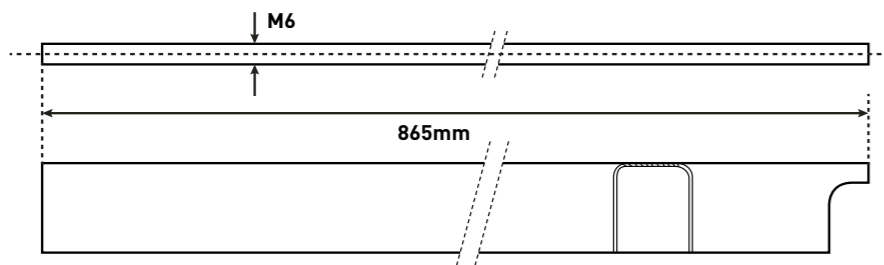


Product Type	Description	U.O.M.	Part Number	Price
Emergency Exit	(8989) EuroPad 2-point - Black [Inactive Leaf]	Each	DF0155	£276.95



Emergency Exit Extension Kits

Lever action flush bolt with 16mm throw.



Product Type	Description	U.O.M.	Part Number	Price
Extension Kit	S91 Extension Kits - [For Doors Over 2300mm] - 8989, PJ2000, PJ3000	Each	DF0161	£46.03



Emergency Exit External Lever Handle



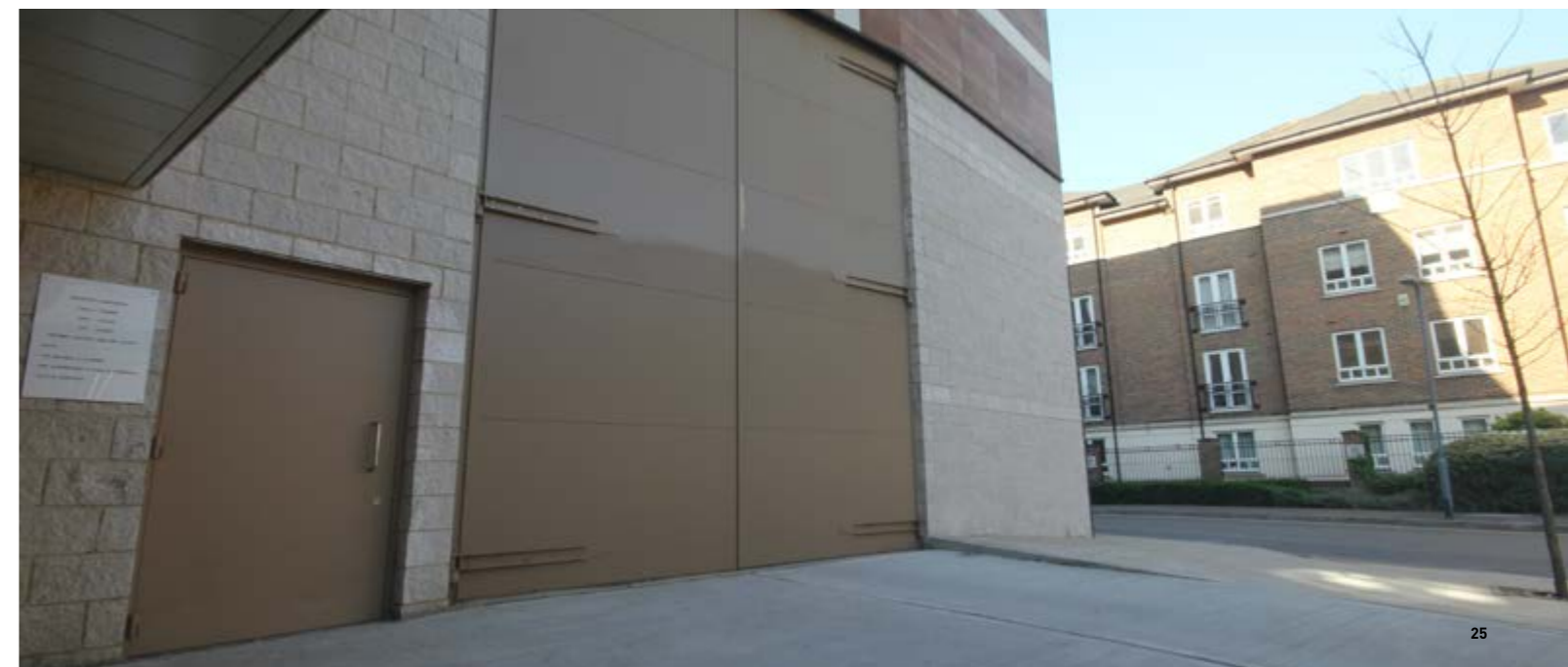
Product Type	Description	U.O.M.	Part Number	Price
External Access	EN3000 OAD 60 - Black	Each	DF0157	£180.95



Product Type	Description	U.O.M.	Part Number	Price
Extension Kit	KE-2000 EN3000 Extension Kit Doors >64mm [i.e. STC-54, 61, 64]	Each	DF0164	£40.93



Kingston Heights 'Encapsulation' Project, London, UK



Multi-point Systems

- Multi-point system
- Cam latches
- Multi-surface latches
- Architectural triple latch

Multi-point System

Double door inactive leaf latching on large industrial doors



Product Type	Description	U.O.M.	Part Number	Price
Two Point Latch	Trebrigel Espganolette, Two Point Latch, Handle	Each	DF0001	£97.00
Standard Bar	Bar, 2.5m Length [2 Per Standard Door]	Each	DF0003	£100.00
Standard Guides	Guides [3 Per Standard Door <5m]	Each	DF0004	£5.00
Standard Assembly Price	-	Each	-	£312.00
Roller Guide	Latching System [Only on Pull Side install]	Each	DF0002	£18.00



Cabot Circus Plant Room, Bristol



Cam Latches

Standard on Super Noise-Lock® doors active leaf



Product Type	Description	U.O.M.	Part Number	Price
Triple CAM Latch	3 Point Latch Assembly [Left Hand Doors, 1700mm]	Each	DF0063	£1120.00
Triple CAM Latch	3 Point Latch Assembly [Right Hand Doors, 1700mm]	Each	DF0064	£1120.00



Note: System is custom extended to suit individual door design

Multi Surface Latches



Product Type	Description	U.O.M.	Part Number	Price
Industrial Triple Latch	Surelock McGill Slimline Autobolting Surface Mounted Triple Latch	Each	Various	£1262.50

Note: Estimated cost - please contact IAC Acoustics for project specific pricing



FG Wilson Anechoic Test Facility, Belfast, UK



Architectural Triple Latch

Product Type	Description	U.O.M.	Part Number	Price
Architectural Triple Latch	Nemef Triple Latch, 65mm Backset	Each	Various	£174.83
Architectural Triple Latch	Master Lock Case	Each	DF0179	
Architectural Triple Latch	Upper Slave Lock	Each	DF0180	
Architectural Triple Latch	Lower Slave Lock	Each	DF0181	
Architectural Triple Latch	648mm Link Bar	Each	DF0182	
Architectural Triple Latch	958mm Link Bar	Each	DF0183	



Note: 64mm leaf, twin seal



Product Type	Description	U.O.M.	Part Number	Price
Architectural Triple Latch	Triple Latch, 100mm Backset	Each	Special Order	£350.00
Architectural Triple Latch	1020 Master Lock	Each	Special Order	
Architectural Triple Latch	1030 Slave Locks	Each	Special Order	
Architectural Triple Latch	1106 Link Bar [1972mm/2222mm/2472mm]	Each	Special Order	

Note: 89mm leaf, twin seal / 89mm leaf, triple seal / 128mm leaf, triple seal

Door Control

- Door buffers
- Door closers
- Door coordinators
- Automatic operators

Floor Mount

Product Type	Description	U.O.M.	Part Number	Price
Floor Mount	Aluminium, Spring Loaded Buffer with Black Rubber, Face Fixed, up to 100kgs Stone Stove Enameled (2024)	Each	DF0062	£65.10
Floor Mount	Aluminium, 92mm Sprung Loaded Buffer, Holder, up to 100kgs (1052)	Each	DF0275	£101.00



Wall Mount

Product Type	Description	U.O.M.	Part Number	Price
Wall Mount	Steel, Spring Loaded Buffer with Black Rubber, Concealed Fixings, up to 200kgs Silver Stove Enameled (2120)	Each	DF0271	£129.00
Wall Mount	Aluminium, 140mm Sprung Loaded Buffer, Holder, 10 Degree Angle, up to 100kgs Silver Stove Enameled (1095)	Each	DF0274	£233.00
Floor Mount	Aluminium, Spring Loaded Buffer with Black Rubber, Face Fixed, up to 100kgs Stone Stove Enameled (2049)	Each	DF0272	£105.00



Door Holder

Product Type	Description	U.O.M.	Part Number	Price
Large Door Holder	Steel, 445mm High, 120mm Lift, 1.9kgs Weight (1043) Silver Stove Enameled [other finishes available]	Each	DF0212	£317.75



Door Holder

Product Type	Description	U.O.M.	Part Number	Price
Small Door Holer	Steel, 210mm High, 50mm Lift, 0.32kgs Weight (1028) Silver Stove Enameled [other finishes available]	Each	DF0273	£46.50



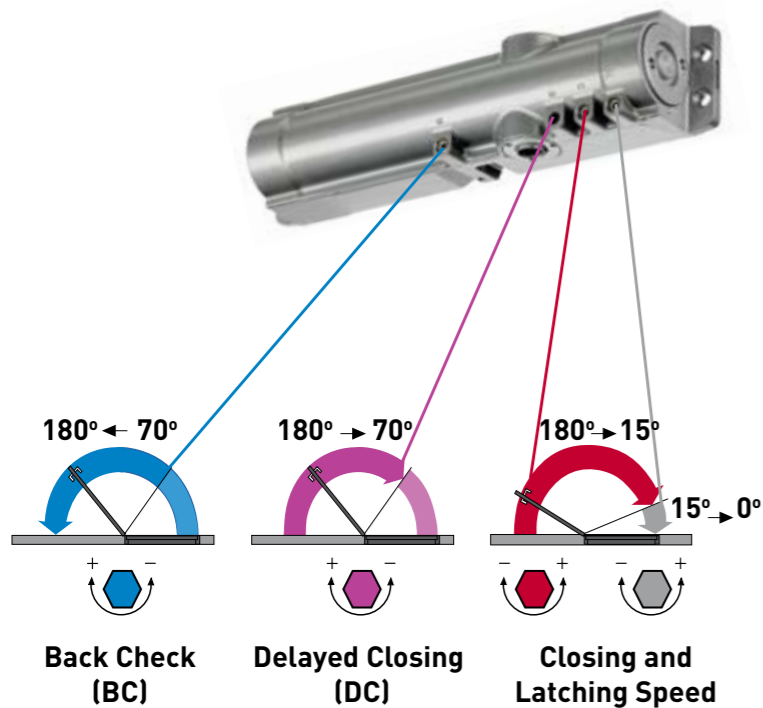
Door Closer

Product Type	Description	U.O.M.	Part Number	Price
Door Closer	Abloy DC240, Rack & Pinion Arm, Size, EN2-6, Silver	Each	DF0243	£161.20
Accessory Kit	Abloy DC191, Hold Open Arm for DC240 Closer	Each	DF0265	£109.83
Door Closer	Abloy DC247, Cam Action, Slide Arm, Size EN6-7, Silver [DC270-S Body & DC194 Slide Arm]	Each	DF0246	£418.40



Features

- Adjustable spring power from size 2 to size 6
- Suitable for exterior doors, large doors, and interior doors exposed to conditions of pressure and heavy use
- Recommended max, door leaf width 1400mm, max. door weight 120kg
- Back check (BC) as a standard
- Delayed closing (DC) as an option
- Two pressure relief valves to protect against abuse
- Can be used with FD45X- series
- CE-marked



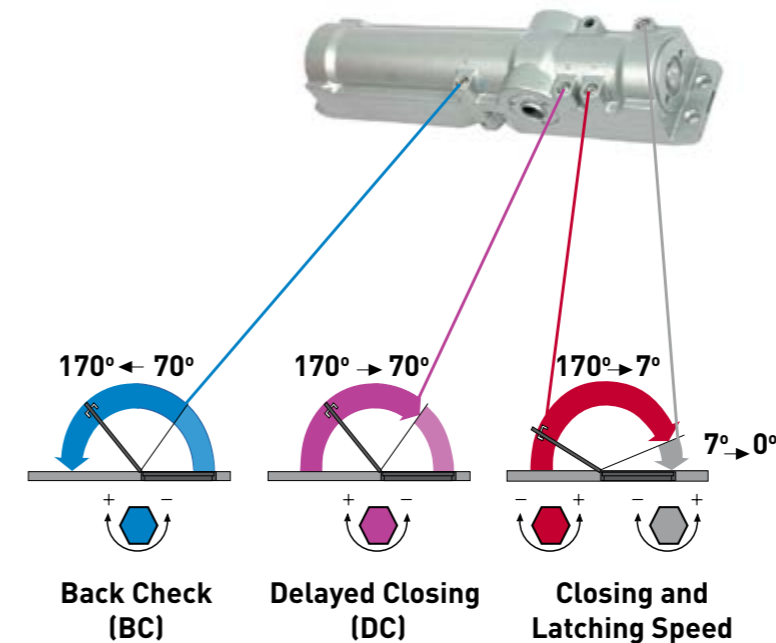
Door Closer

Product Type	Description	U.O.M.	Part Number	Price
Door Closer	Abloy DC250, Cam Action, Slide Arm, Size EN1-6, Silver	Each	DF0245	£253.58
Accessory Kit	Abloy DC152, Hold Open Device for DC250 Slide Arm	Each	DF0266	£8.73
Door Closer	Abloy DC270, Cam Action, Slide Arm, Size EN6-7, Silver [DC270-S Body & DC194 Slide Arm]	Each	DF0246	£730.82



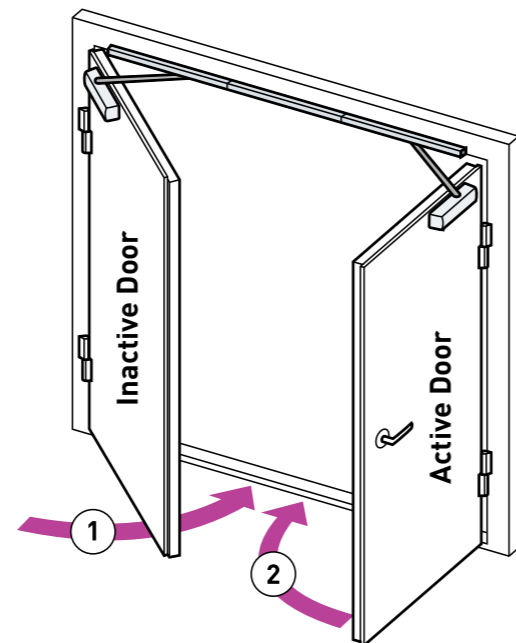
Features

- Adjustable spring power from size 2 to size 6
- Easily adjustable arm height
- Adjustable closing force
- Adjustable closing and latching speed
- Back check (BC) as a standard
- Cast aluminium body manufactured from high-performance silicon alloy
- Two pressure relief valves are a standard feature to protect against abuse
- High efficiency 70-80%
- Available with removable plastic, steel and stainless steel covers
- CE-marked



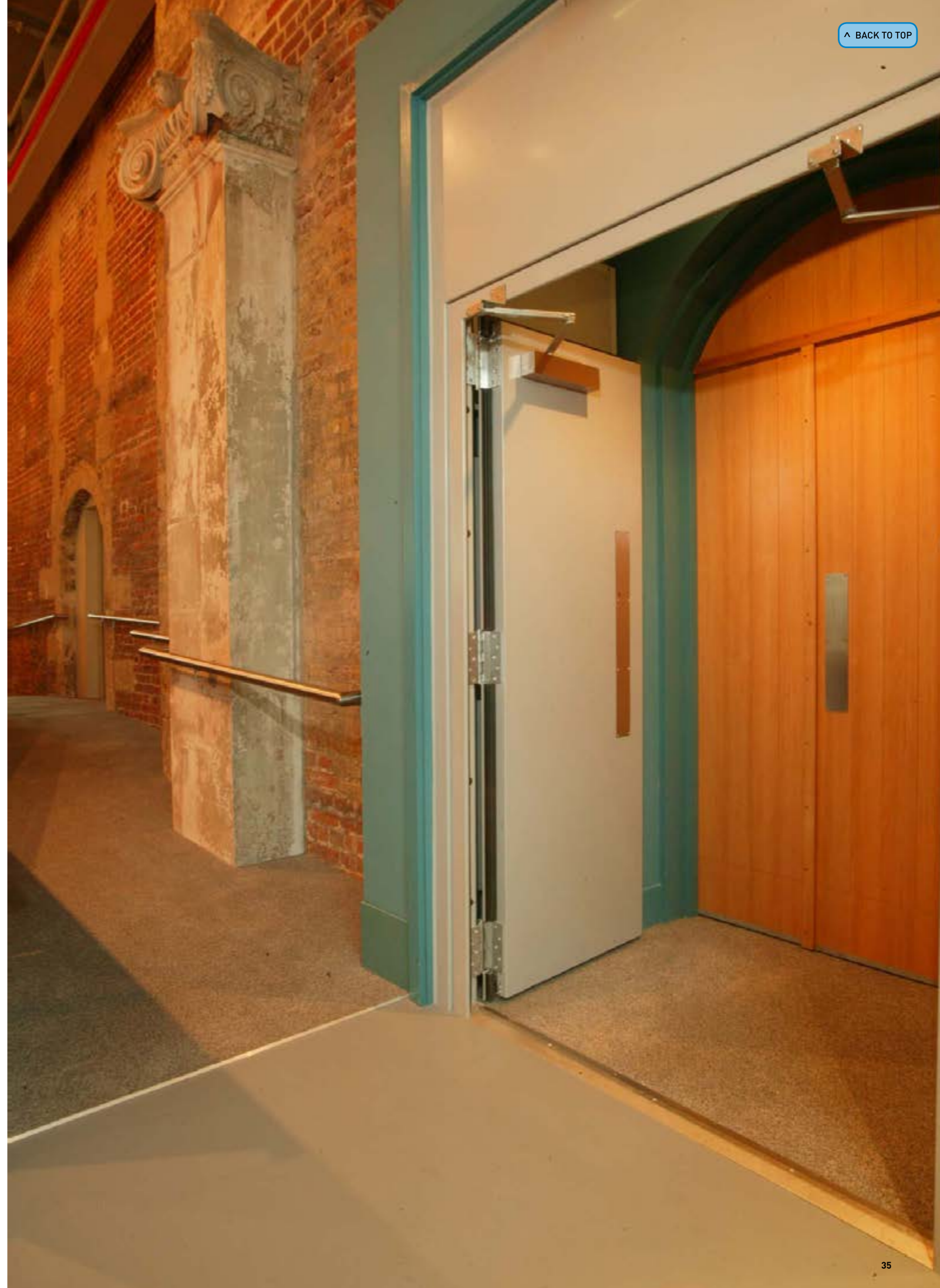
Door Closer

Product Type	Description	U.O.M.	Part Number	Price
Door Coordinator	FD461, Escape / Fire Door, Coordinator System, Silver	Each	DF0247	£418.40
Door Closers for Coordinator	DC250, Cam Action, Size EN1-6 (Body Only, 2 req for FD461)	Each	DF0248	£203.78
Accessory Kit	FD120 Accessory Kit for FD461 When On Push Side of Door	Each	DF0249	£49.83
Standard System Kit - Pull Side				£825.96
Standard System Kit - Push Side				£875.79



FD461 mechanical coordinator keeps the active door open when inactive door is open. Active door starts to close when the inactive door is almost closed. After the active door is closed it latches the inactive door. FD120 must be used with closing side installations.

Other options are available such as electromagnetic coordinators - please contact IAC Acoustics for further details.



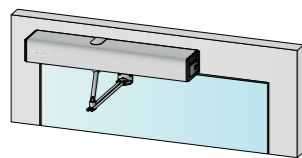


FD20 Automated Operators at NBC Universal Theatre, London, UK

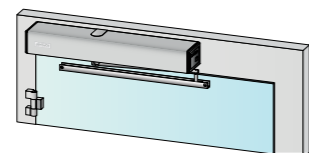
The exceptional new Gilgen FD 20 Swing Door Drive is their most powerful and silent ever:

- Low-noise electro-mechanical drive unit (oil-free)
- Automate doors up to 1600mm or 250kg
- Adjustable push-and-go function
- Optional remote control
- Illuminate buttons in the side cover for maximum control
- Easy commissioning by means of an integrated display
- Drive covering made of aluminium or chromium steel
- Continuous drive covering for bi-parting installations
- Attractive sliding rod mechanism
- Fire-rated application for single door leaf and bi-parting installations

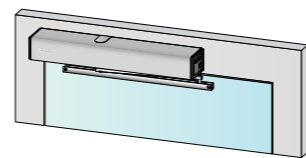
Lintel Installation



Normal rods with pushing function

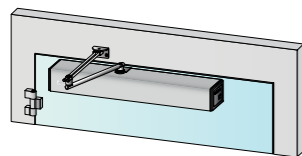


Sliding rods with pushing function



Sliding rods with pulling function

Door Leaf Installation



Normal rods with pushing function

Application Limits

Max. door leaf weight	250kg
Door sizes EN3-7	(850 - 1600mm)
Maximum opening angle	105°
Testing according to	pr EN16005

Technical Data

Electric power supply	230VAC
Dimensions	690 x 95 x 120mm (LxHxT)
Connection for	sensors, door opener, etc. 24VDC, 2A

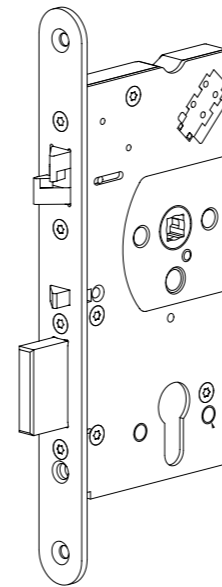
Type	Description	Sales Price (ea)
01	Single Door with internal and external safety, FP200 roller blind finger guard (Silver), access control signal by others inside and outside with standard pushing rods	£2,425.00
02	Double Door with internal and external safety, FP200 roller blind finger guards (Silver), access control signal by others inside and outside with standard pushing rods.	£3,885.00

Type	Options	Sales Price (ea)
01	Double doors - Extended aluminium covering kit E6/EV1 natural anodized	£60
02	Single doors - Sliding rods	£30
03	Double doors - Sliding rods	£60
04	900 x 900mm Double leg safety barrier	£228
05	Eagle II (microwave) motion sensor	£90
06	Round 'Push to Open' activation plate	£67

Electric Locking Systems

- Solenoid locks
- Motorised locks
- Multi-point motorised locks
- Electromagnetic shear locks
- Security strikes

Single Latch Solenoid Lock



Inside handle operates at all times, outside handle operates when engaged by solenoid (handle and electronic access control).

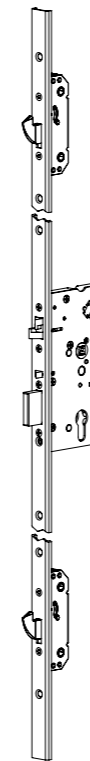
Product Type	Description	U.O.M.	Part Number	Price
Single Latch Solenoid Lock	Abloy EL560 65mm Backset [Standard] 64mm & 89mm leaf twin seal	Each	DF0227	£609.15
Single Latch Solenoid Lock	Abloy EL560 100mm Backset [Special] 89mm & 128mm leaf triple seal	Each	DF0228	£683.43

Both handles electronically controlled (handle and electronic access control).

Product Type	Description	U.O.M.	Part Number	Price
Single Latch Solenoid Lock	Abloy EL651 65mm Backset 64mm & 89mm leaf twin seal	Each	DF0229	£609.15
Single Latch Solenoid Lock	Abloy EL651 100mm Backset 89mm & 128mm leaf triple seal	Each	DF0230	£683.43

Single Latch Motorised Lock	EA218 - Cable	Each	DF0262	£44.13
Single Latch Motorised Lock	EA322 - Strike	Each	DF0263	£26.58

Triple Latch Solenoid Lock



Inside handle operates at all times, outside handle operates when engaged by solenoid (handle and electronic access control).

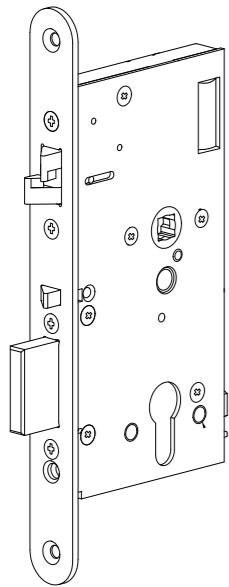
Product Type	Description	U.O.M.	Part Number	Price
Triple Latch Solenoid Lock	Abloy EL566 65mm Backset 64mm & 89mm leaf twin seal	Each	DF0231	£1,250.13
Triple Latch Solenoid Lock	Abloy EL566 100mm Backset 89mm & 128mm leaf triple seal	Each	DF0232	£1,375.13

Both handles electronically controlled (handle and electronic access control).

Product Type	Description	U.O.M.	Part Number	Price
Triple Latch Solenoid Lock	Abloy EL567 65mm Backset 64mm & 89mm leaf twin seal	Each	DF0233	£1,250.13
Triple Latch Solenoid Lock	Abloy EL567 100mm Backset 89mm & 128mm leaf triple seal	Each	DF0234	£1,375.13

Single Latch Motorised Lock	EA218 - Cable	Each	DF0262	£44.13
Single Latch Motorised Lock	EA322 - Strike	Each	DF0263	£26.58
Triple Latch Motorised Lock	EA306 - Strike (2)	Each	DF0264	£19.68

Single Latch Motorised Lock



Features Include:

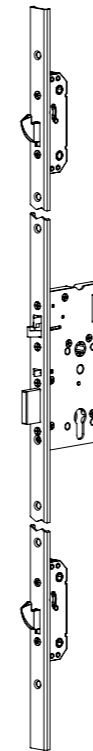
- Deadbolt & anti-friction bolt deadlocked when door closes, 12/24V DC or 12/18V AC
- Deadbolt withdrawn by motor & thrown by spring force
- Anti-Friction bolt is freed when deadbolt withdrawn by motor
- Reversible trigger bolt for all door handings
- Power failure - deadbolt is thrown, released by mechanical override
- Control switches - continuous or momentary with monitoring options
- Require Abloy control unit to be installed - 110mm x 190mm x 45mm (included)
- Fail locked outside, free egress from inside when handle fitted
- Motorised electronic access control - can be used with automated door operators



Fail locked outside, free egress from inside when handle fitted and motorised electronic access control - can be used with automated door operators.

Product Type	Description	U.O.M.	Part Number	Price
Single Latch Motorised Lock	Abloy EL520 65mm Backset [Standard] 64mm & 89mm leaf twin seal	Each	DF0235	£1,402.53
Single Latch Motorised Lock	Abloy EL520 100mm Backset [Special] 89mm & 128mm leaf triple seal	Each	DF0236	£1,402.53
Single Latch Motorised Lock	EA218 - Cable	Each	DF0262	£44.13
Single Latch Motorised Lock	EA322 - Strike	Each	DF0263	£26.58

Triple Latch Motorised Lock



Features Include:

- Deadbolt & anti-friction bolt deadlocked when door closes, 12/24V DC or 12/18V AC
- Deadbolt withdrawn by motor & thrown by spring force
- Anti-Friction bolt is freed when deadbolt withdrawn by motor
- Reversible trigger bolt for all door handings
- Power failure - deadbolt is thrown, released by mechanical override
- Control switches - continuous or momentary with monitoring options
- Require Abloy control unit to be installed - 110mm x 190mm x 45mm (included)
- Fail locked outside, free egress from inside when handle fitted
- Motorised electronic access control - can be used with automated door operators



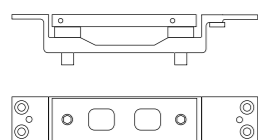
Fail locked outside, free egress from inside when handle fitted and motorised electronic access control - can be used with automated door operators.

Product Type	Description	U.O.M.	Part Number	Price
Triple Latch Motorised Lock	Abloy EL256 65mm Backset [Standard] 64mm & 89mm leaf twin seal	Each	DF0237	£3225.37
Triple Latch Motorised Lock	Abloy EL256 100mm Backset [Special] 89mm & 128mm leaf triple seal	Each	DF0238	£3394.07
Triple Latch Motorised Lock	EA218 - Cable	Each	DF0262	£44.13
Triple Latch Motorised Lock	EA322 - Strike	Each	DF0263	£26.58
Triple Latch Motorised Lock	EA306 - Strike (2)	Each	DF0264	£19.68



NBC Universal, London, UK

Electromagnetic Shear Lock
Concealed within door leaf/frame

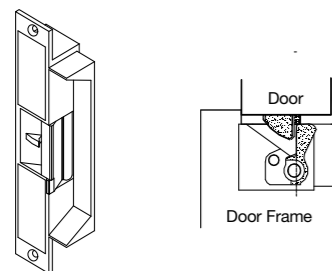


Product Type	Description	U.O.M.	Part Number	Price
Mini Electromagnetic Shearlock	Mini Electromagnetic Shearlock, 1,500kg Holding Force, Dual 12/24V DC Voltage	Each	DF0239	£425.76

Product Type	Description	U.O.M.	Part Number	Price
Card Reader	Paxton Proximity Card Reader	Each	DF0267	£289.85



High Security Electromagnetic Strike



Product Type	Description	U.O.M.	Part Number	Price
High Security Electric Strike	Fail safe or fail secure, multi-volt 12/24V DC, fully monitored, 1,000kg holding force, 4 hour fire rated (Australia)	Each	DF0280	£312.96

Product Type	Description	U.O.M.	Part Number	Price
Push Button	Press to Exit Button, Green	Each	DF0268	£73.90



Product Type	Description	U.O.M.	Part Number	Price
Emergency Release	Break Glass Door Release	Each	DF0269	£39.75



Product Type	Description	U.O.M.	Part Number	Price
Armoured Loop	Lead Cover Leaf-Frame, Chrome, 543mm Overall Length (EA281)	Each	DF0270	£65.38



Door Accessories

- Fire Signs
- Hinges
- Door Seals



Fire Signs



Product Type	Description	U.O.M.	Part Number	Price
Fire Signs	Signs to read "Fire Door Keep Shut", 76mm dia, d/csk	Each	DF0256	£4.05
Fire Signs	Signs to read "Fire Door Keep Locked", 76mm dia, d/csk	Each	DF0257	£4.05
Fire Signs	Signs to read "Fire Door Keep Locked Shut", 76mm dia, d/csk	Each	DF0258	£4.05
Fire Signs	Signs to read "Automatic Fire Door Keep Clear" 76mm dia, d/csk	Each	DF0259	£4.05



Door Seals

Product Type	Description	U.O.M.	Part Number	Price
Magnetic Seals	Magnetic Push in Seal (straight length)	Each	DS7131-89	£16.24
Magnetic Seals	Magnetic Push in Seal - LH - 0.7m x 2.2m	Each	DS7131-LH	£28.00
Magnetic Seals	Magnetic Push in Seal - RH - 0.7m x 2.2m	Each	DS7131-RH	£28.00
Magnetic Seals	Rigid Gasket Retainer	Each	RF8007	£9.32
Seals	Silicone D Seal	Each	RF8005	£13.68



Hinges

Product Type	Description	U.O.M.	Part Number	Price
Hinges	CAM Hinge Left	Each	IN0084	£96.68
Hinges	CAM Hinge Right	Each	IN0085	£96.68



Door Maintenance Plans

- Service plans
- Call-out rates
- Warranties

24hr

Service Plans Preventative Maintenance

Safeguard Plan for IAC Acoustics' Doors

- Includes for one or two planned maintenance visits carried out during normal working hours (unless otherwise agreed)

Each maintenance visit will also include

- Replacement of any worn components where necessary (parts & plant chargeable)
- All hinges and locks checked and lubricated as necessary
- Manual and automatic closing mechanisms checked and adjusted where necessary
- All automatic doors checked to BS EN 16005 (prev BS7036)



Planned:

Service Visit	Bi-Annual	Annual
1. Attendance per site	£350	£240
2. Single Hinged door	£48	£30
3. Double (PR) Hinged Door	£56	£35
4. Automatic Hinged Door	£112	£70

Service Provided By **GILGEN**
GILGEN DOOR SYSTEMS

Emergency Maintenance

In the unlikely event of your IAC Acoustics door requiring emergency maintenance, know that you're in safe hands. Our 24 hour call-out service guarantees to get your door back up and running as soon as possible whilst minimising disruption.

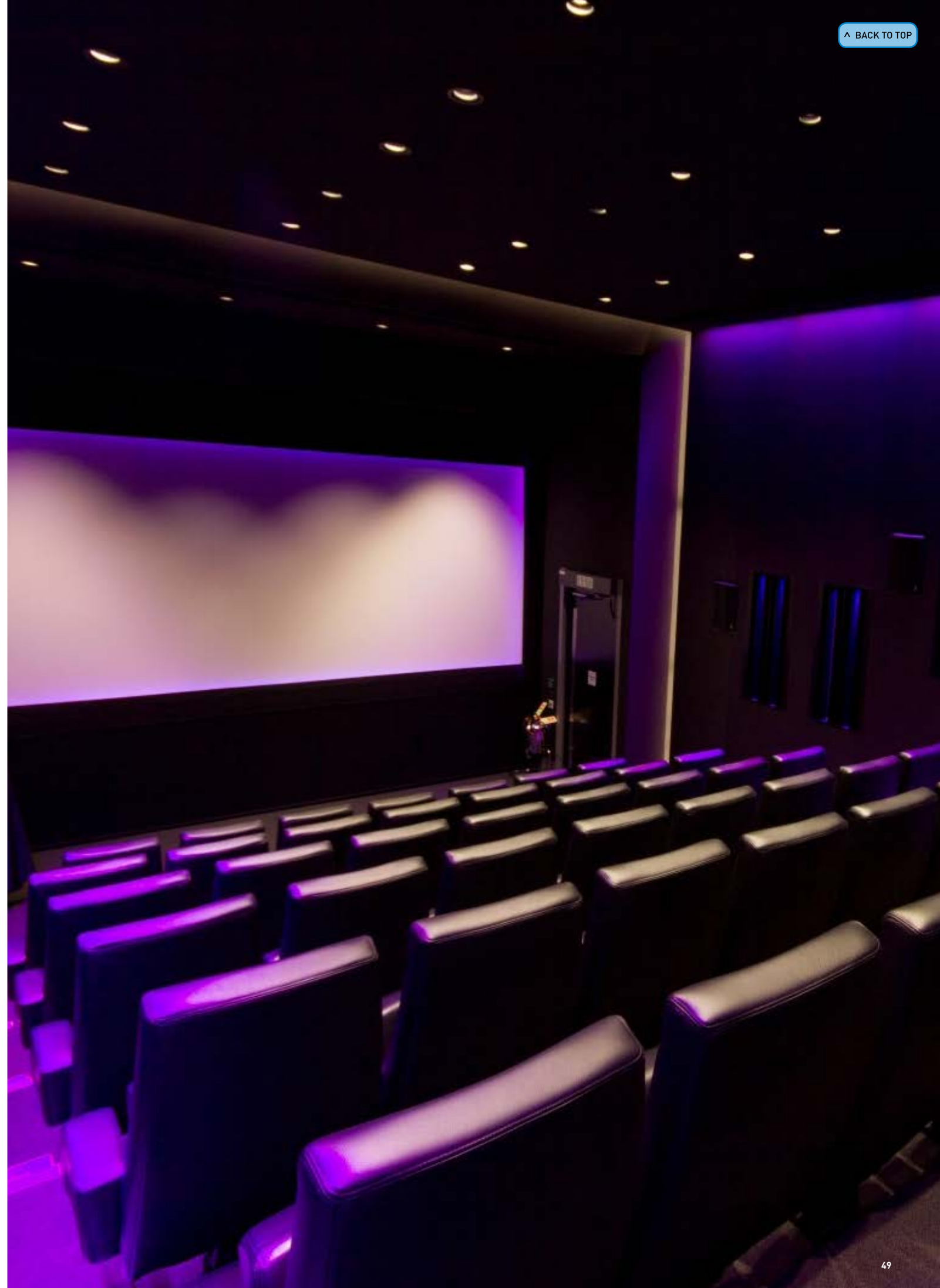
All reactive service calls are based on 24 hour response times.



Call out:

Time Band	Preferential call-out rates including 1st hour on site		Door Engineer Hourly Rate	
	24Hr	5 Day	1 Man	2 Man
Normal Working Hours Monday - Friday 08:00 - 17:00	£350	£263	£100	£155
Premium Working Hours Monday - Friday 17:00 - 08:00 and Saturday	£488	£388	£150	£233
Sunday and Public Holidays	£630	£513	£190	£288

Service Provided By **GILGEN**
GILGEN DOOR SYSTEMS



Contacts

For a list of IAC locations worldwide please refer to our website.



Making the world a quieter place

IAC GmbH

T: +49 2163 9991-0

E: deutschland@iac-gmbh.de

www.iac-gmbh.de